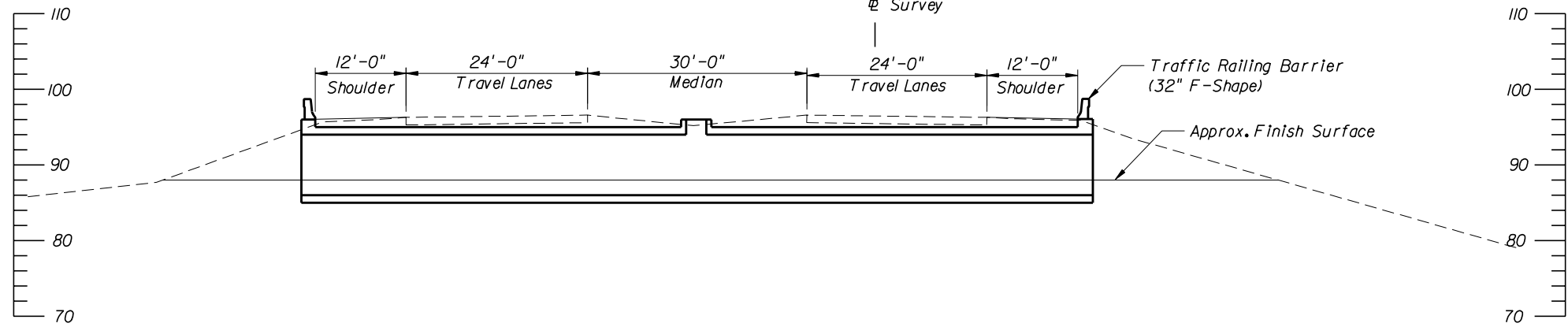


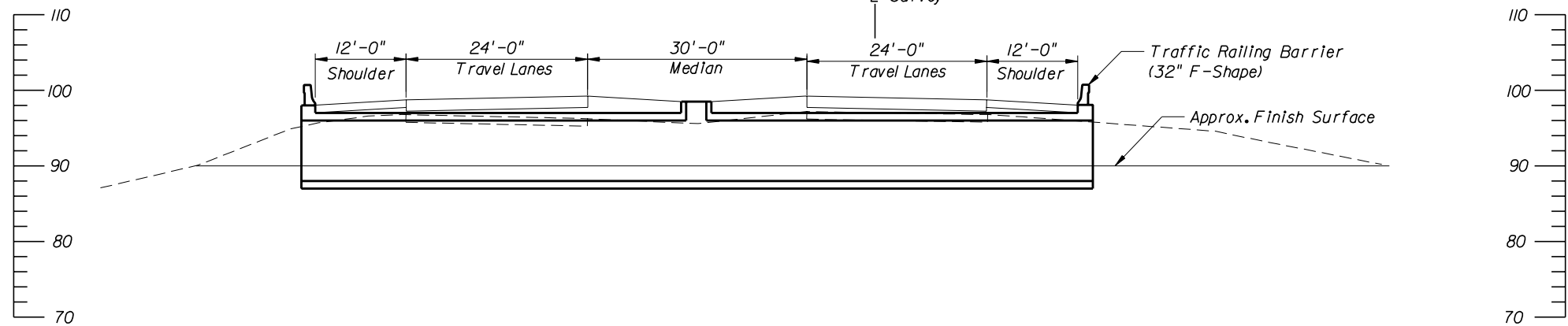
616+00

Survey



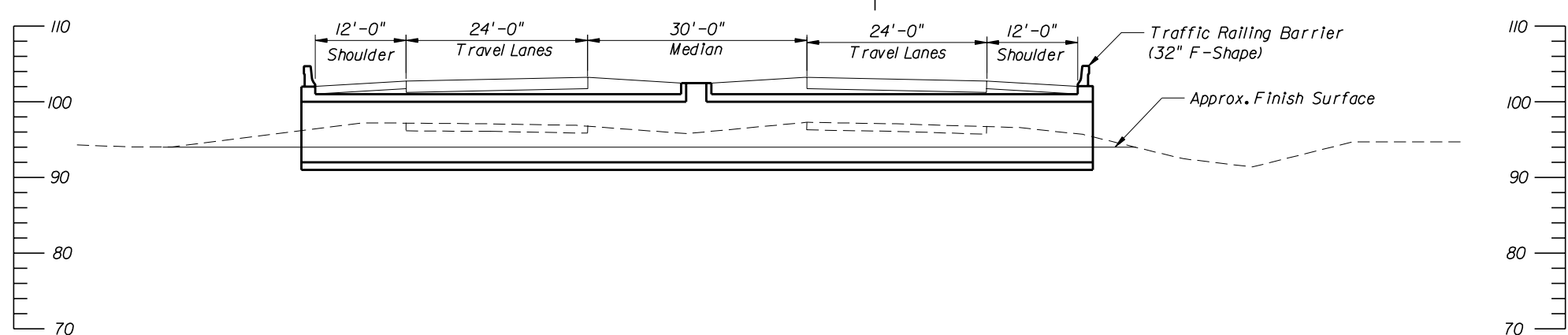
611+10

Survey



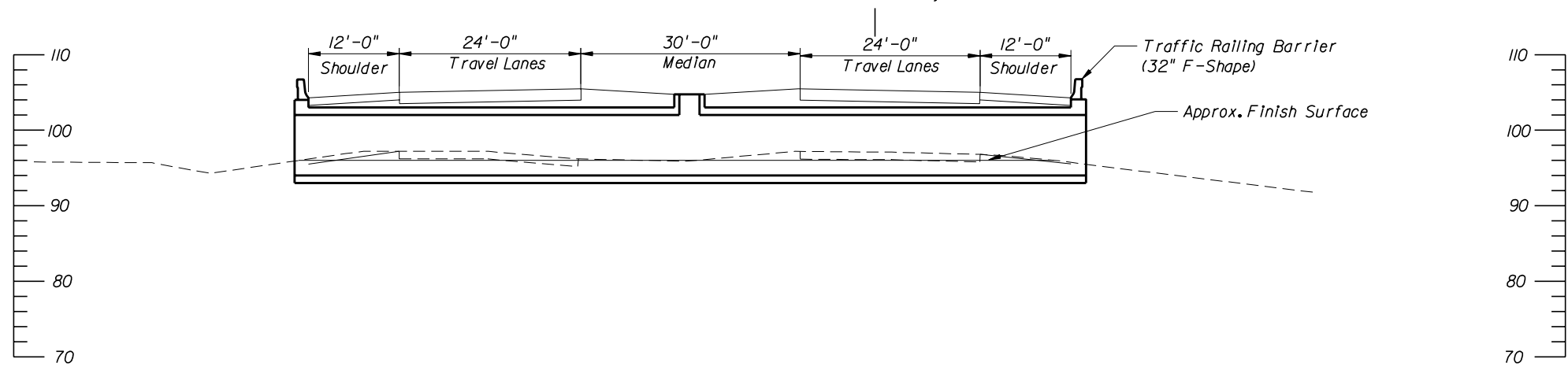
606+60

Survey

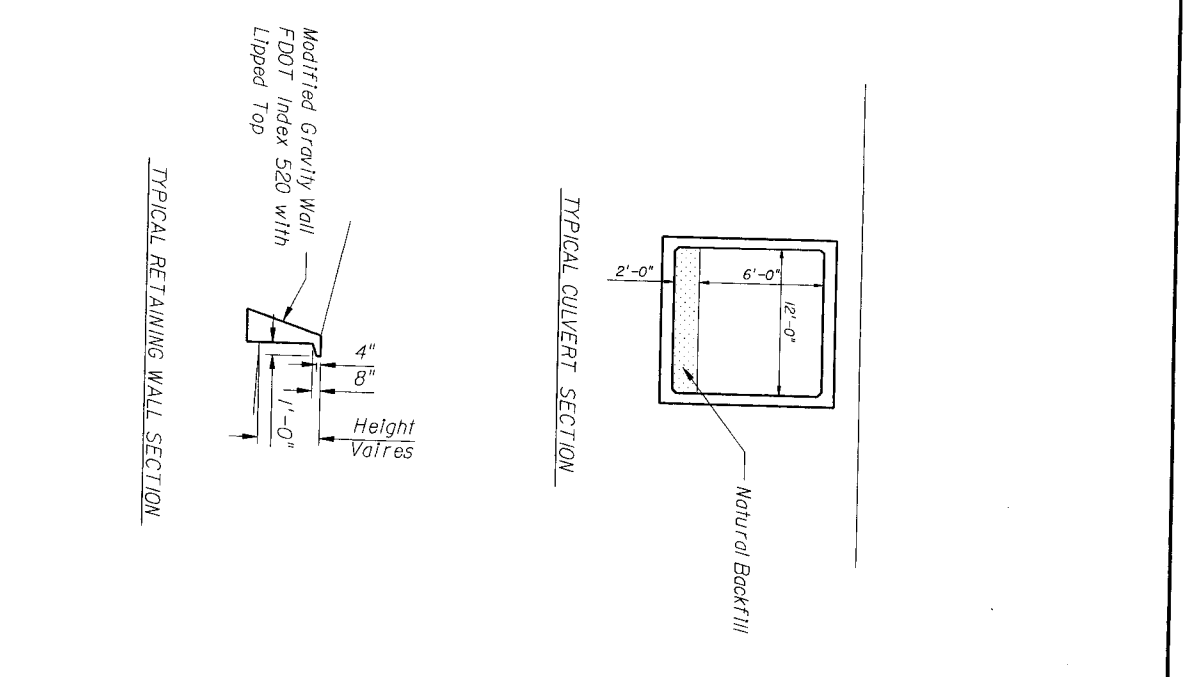
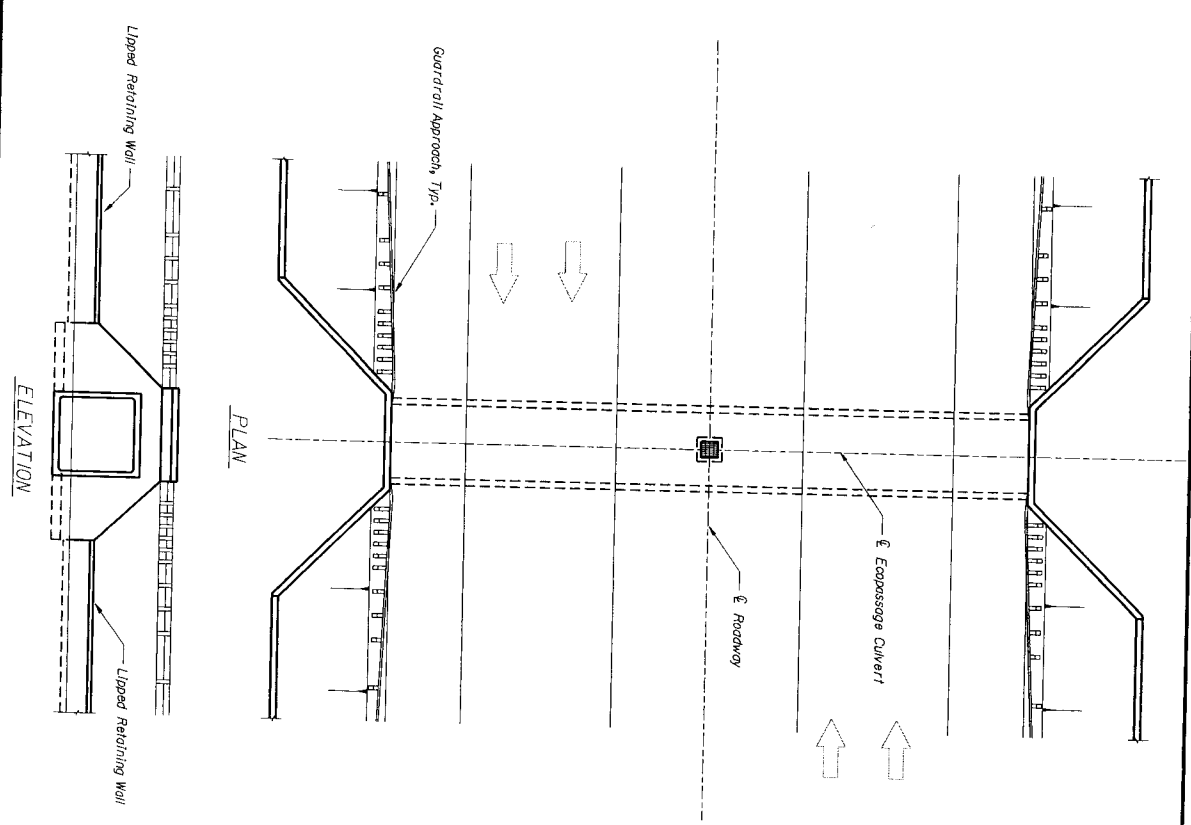


602+00

Survey



This document, together with the contract and design presented hereto, is to be held in force, to be used only for the specific purpose and class for which it was prepared. Plans of and by whom subject to this document without written authority.



**TYPICAL RETAINING WALL SECTION**

Modified Gravity Wall  
 FDOT Index 520 with  
 Lipped Top

4"  
 8"  
 1'-0"  
 Height  
 Varies

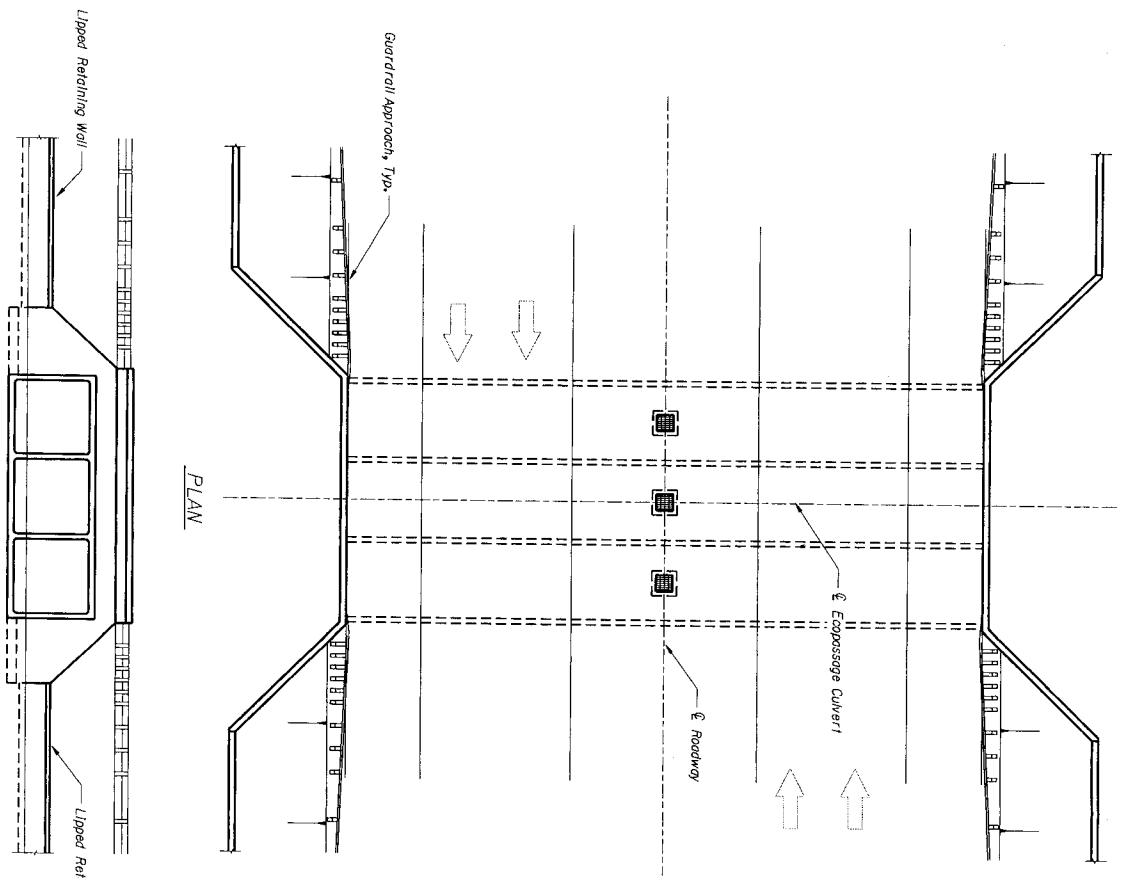
**TYPICAL CULVERT SECTION**

2'-0"  
 6'-0"  
 12'-0"  
 Natural Backfill

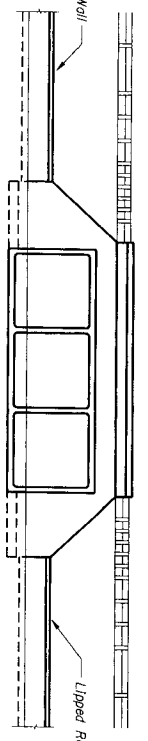
DATE	12/16/04	PROJECT NO.	1	COUNTY	FLORIDA	ENGINEER	LAKE JACKSON ECOPASSAGE TYPICAL CULVERT CROSSINGS	SHEET NUMBER	01
DESIGNED BY	NAME	DATE	12/16/04	PROJECT NO.	1	COUNTY	FLORIDA	ENGINEER	LAKE JACKSON ECOPASSAGE TYPICAL CULVERT CROSSINGS
DRAWN BY	NAME	DATE	12/16/04	PROJECT NO.	1	COUNTY	FLORIDA	ENGINEER	LAKE JACKSON ECOPASSAGE TYPICAL CULVERT CROSSINGS
CHECKED BY	NAME	DATE	12/16/04	PROJECT NO.	1	COUNTY	FLORIDA	ENGINEER	LAKE JACKSON ECOPASSAGE TYPICAL CULVERT CROSSINGS
APPROVED BY	NAME	DATE	12/16/04	PROJECT NO.	1	COUNTY	FLORIDA	ENGINEER	LAKE JACKSON ECOPASSAGE TYPICAL CULVERT CROSSINGS
REVISIONS	DATE	BY	DESCRIPTION	DATE	BY	DESCRIPTION	DATE	BY	DESCRIPTION

and Associates, Inc.  
 4421 W. US HIGHWAY 90, SUITE 200  
 TAMPA, FLORIDA 33607  
 PHONE (813) 834-1111  
 FAX (813) 834-1112  
 WWW.ANDASSOCIATES.COM

This document, together with the concepts and designs presented herein, is an instrument of service. It is prepared only for the specific project and shall not be used for any other project. Plans of and approval releases on this document shall not be authorized.

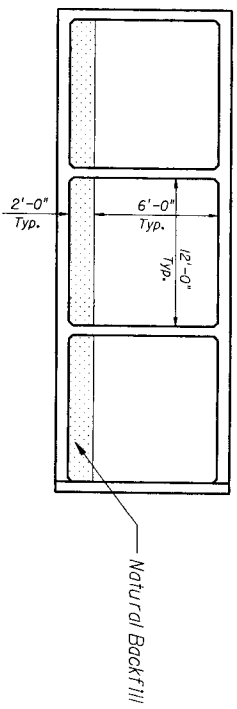


*ELEVATION*

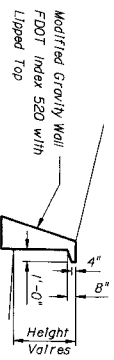


*PLAN*

*TYPICAL CULVERT SECTION*



*TYPICAL RETAINING WALL SECTION*



PROJECT NO. _____ SHEET NO. _____ REVISIONS: _____ DATE BY	DESIGNER: NAME _____ DRAWN BY: NAME _____ CHECKED BY: NAME _____	DATE: 12/15/04 PROJECT NO. _____ COUNTY: _____ FLORIDA	ENGINEER: NAME _____ FLORIDA REGISTRATION NUMBER: _____ REGISTRATION STATE: _____	SHEET NUMBER: _____ OF: _____
---	--	---	---	----------------------------------

**Kirtley-Hoon and Associates, Inc.**  
 4515 BIRCH LANE, SUITE 100, JACKSONVILLE, FL 32217  
 PHONE: (904) 744-0888 FAX: (904) 744-0877  
 WWW.KHARTLEYHOON.COM OR 800.888.8888

LAKE JACKSON ECOPASSAGE  
TYPICAL CULVERT CROSSINGS